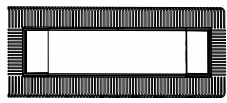


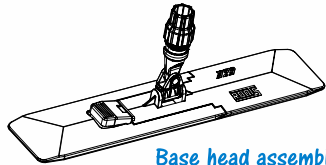
PACKING CONSISTS OF



Insert 50



Telescopic handle assembly

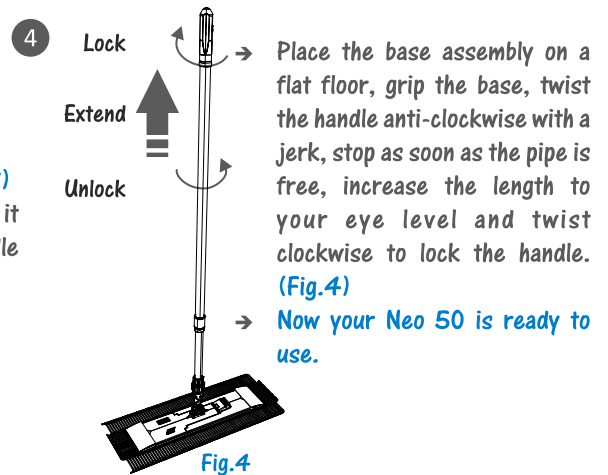
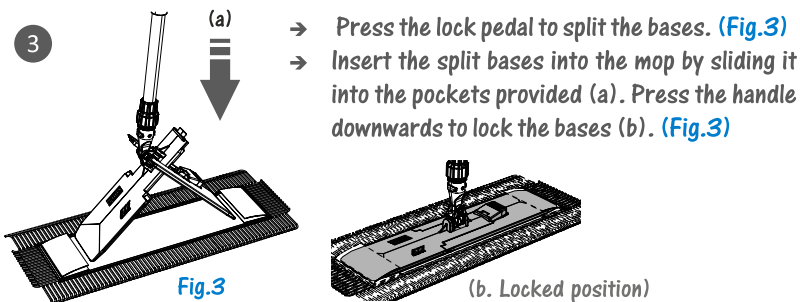
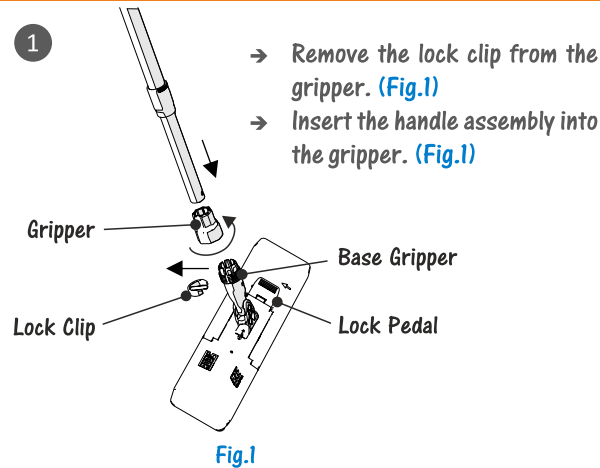


Base head assembly

ADVANTAGES

- Ergonomic design
- Light in weight
- Telescopic handle
- Wet & Dry
- Fatigue-free operation
- No need to bend your back
- Rust free
- Flexible, can reach nooks & corners
- No flying dust
- Easy and faster cleaning

PREPARATIONS FOR USE

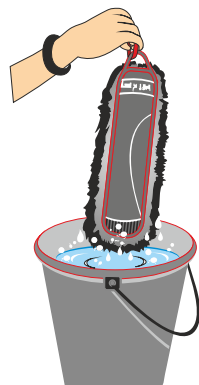


MAINTENANCE

Dry Dusting



Wet Washing



Storing



CONTACT



Roots Multiclean Ltd.,
RKG Industrial Estate, Ganapathy,
Coimbatore - 641 006, India.



Tel : 0422 4330330
Toll Free : 1800 41 99 77 9



rmclsales@rootsemail.com



rootsmulticlean.com