



Kindly read the manual before operating the machine.
(Original Instructions - English)

Roots Multiclean Ltd.
R.K.G. Industrial Estate, Ganapathy, Coimbatore - 641 006, India.
Phone: +91 (422) 4330 330 | E-mail: rmclsales@rootsemil.com
Web: rootsmulticlean.in | Toll Free: 1800 41 99 77 9

P/N: 557420033-00, Rev - D, 07/18
Prepared by KM, NPM-TD Dept.

INTRODUCTION

Preface

Dear Customer,
We are pleased with your having chosen the **Roots SD430 Floor Scrubber** machine for your floor cleaning requirements. Backed by our industry expertise that spans across decades, we assure you that the machine comes with our Roots promise of quality, efficiency and performance.
We advise you to carefully read through the instructions prior to the operation of the machine. This manual contains detailed instructions for the proper operation of the machine, along with important information regarding its handling, care, maintenance and service needs.
We are sure that you will find the machine and its performance to your utmost satisfaction. Once again, we thank you for choosing **Roots Multiclean Ltd. (RMCL)** as a trusted partner for your cleaning requirements and solutions.

Usage, Handling and Modification

Use of the product beyond the specified scope of functioning is deemed improper and the manufacturer cannot be held liable for any damages which may arise due to this.
This machine may be used only by persons who are trained or are familiar with the machine and are aware of the possible hazards involved. The appropriate Accident Prevention Regulations as well as applicable general regulations pertaining to Safety and Health at the work place must be adhered to by the user. Modifications made to machine without the manufacturer's consent will relieve the manufacturer of responsibility and any possible liability for consequential damage.

Notes on Domestic Warranty

Please refer to the Limited Warranty card supplied along with the machine for additional information. This Warranty Policy is applicable only for the product sold within India. If the product requires repair or maintenance work to be performed, please ensure that you get the machine serviced from an authorised service center or dealer of RMCL to ensure that the warranty is not void.

Acceptance of the Machine

On arrival of the machine at the shipping address, please check for any damage that may have occurred as a result of transit. In the event of any such damage, the purchaser is bound by responsibility to send a claim letter to the concerned RMCL branch/dealer with a copy of the invoice. The letter should be sent within 24 hours of receipt of the machine.

The Manual

All information contained is without obligation. RMCL particularly reserves the right to modify any equipment, technical specifications, colours, shapes, materials and the like so as to adapt them to local conditions all without previous announcement and without giving reasons. RMCL may stop manufacturing certain models without previous notice.
The Owner's Manual corresponds to the latest information available for this machine at the time it was printed. Minor deviations resulting from enhancements of the design cannot be entirely represented. The Owner's Manual is an integral part of the machine and must not be misplaced.
Roots reserves the right to change the product or contents of this manual without prior information. For Battery, Motors, Engines and other OEM components related kindly refer to their manufacturers manual supplied along with the machine for instructions regarding usage, maintenance and service.

Please note down the serial number of your machine below:

Serial number:

Date of commissioning:

SAFETY INSTRUCTIONS

All paragraphs in this manual referring to you personal safety, the safety of your machine and the environment protection are attributed one of the following warning symbols.

Symbol (Hazardous for)	Description
Safety Provisions (persons and goods)	Safety provisions in dangerous situation caused by misuse inaccurate adherence of instruction or prescribed work routine.
Caution (the machine)	Important information on handling the machine in order to maintain operability.
Ecological hazard (the environment)	Due to use of substances representing an inherent danger to health of environment.
Read Manual	Prior to first operation, read the manual carefully and strictly comply with the instructions contained.

Safety Instructions

- Apart from information contained in this manual, generally applicable legal provisions for safety and prevention of accidents must be adhered to.
- Do not put this manual aside without having read it, even if you have already operated similar ground cleaning equipment before.
- Allow yourself the time to do so in order to save time at a later time.
- The operator is responsible for all persons in the working area.
- Children must be kept away from the machine during operation.
- No person must be allowed to stay in the zone of danger.
- The warning and instruction plates attached to machine give important advice on safe operation.
- Replace lost or illegible stickers.
- Before starting to work, the operator has to check that the machine and its working implements are in proper and safe operating condition.
- Machines with known defects must not be used.

- Abiding by the above general instructions can help you avoid having to read this book while trying to run the machine.

Safety during machine operation

- This machine is for **WET** scrubbing only.
- Ground cleaning machines may be run by qualified personnel only.
- The machine may be used for cleaning such surfaces approved by the owner or this authorized representative.
- To prevent damages at the brushes as well as at the floor, do not let the machine run dry.
- When transporting machine, shut down the motors of the working implements. The operator must use the machine in accordance to its intended fields of application.
- During operation, the operator must take account of local conditions (stairs, obstacles) and of other persons, particularly children.
- Turn off the machine before any passage over dormers.
- Use cleaning agents only, which are suitable for automatic machines (low foaming), and adhere to the instructions for use, disposal and to the precautions specified by the manufacturer of the cleaning agent.

Turn the motors off to protect the machine against unintended movements, before leaving it unattended. Use only genuine spare brushes as specified by the manufacturer. Use of other than the indicated brush types may affect safety.

Never collect explosive fluids, undiluted acids and solvents. This includes e.g. gasoline, Paint thinners or fuel oil, which-when combined with air, may form explosive vapors or mixtures. Acetone, undiluted acids and solvents can be aggressive to the material used for the machine components.

The machine may be used only on indoor hard floorings and for operation on level grounds with a maximum inclination of 2%.

- Do not clean the machine by means of vapour jet or high pressure cleaning equipment. Do not allow water to penetrate the electrical parts
- Do not USE the machine on steps.

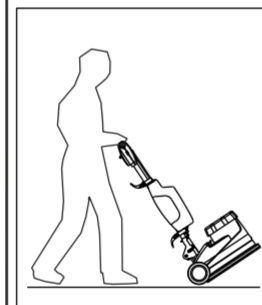
- The machine is splash-water proof (IPX4).
- Use of the machine in areas prone to explosion hazards is strictly forbidden.

- This machine is not intended for use on public roads and places. Only qualified personnel must perform maintenance and repair work.

MACHINE OPERATION

- Turn the machine off and disconnect the mains plug before cleaning and maintaining the machine, when replacing parts or when changing over to another function.

Transport



In order for easy transportation, it is recommended to tip the machine as shown in fig.

Handling of line cords

- Make sure that the line cords are not damaged by running over, squeezing, dragging, etc.
- The line cords must be checked regularly with regard to damage and aging.
- The machine must not be used unless the line cords are in proper condition.
- Use only original extension cables, with maximum admissible length of 25 m.
- When using or replacing line cords, it is necessary to adhere to the type specified by the manufacturer.
- When replacing coupler plugs of line cords or connecting leads, splash-proof protection and mechanical strength must be guaranteed.

Commissioning / Operation

Voltage in the building must be appropriate with that given on the machine's nameplate.

Preparations for Use

- Grasp the handle bar with both hands and tip the machine until it is resting on both wheels.
- Then, wheel the machine to its place of work and plug the electric cable into the power supply.
- Lay the brush on the floor, now tip the machine back on to its wheels and place it over the brush until the catch holder and the brush are aligned. Lower the machine onto the brush.
- Then squeeze the shaft adjustment lever and lower the bar into its working position.
- Align the machine horizontally above the brush and press the brush motor switch briefly for locking.

Machine Use

- Press the brush motor switch (to the left or right). The motor starts.
- If you raise the bar slightly, the machine moves to the right. (Fig. 1)
- If you lower the bar the machine moves to the left. (Fig. 1)
- If you keep the bar in its central position, the machine works on the spot.

After Use

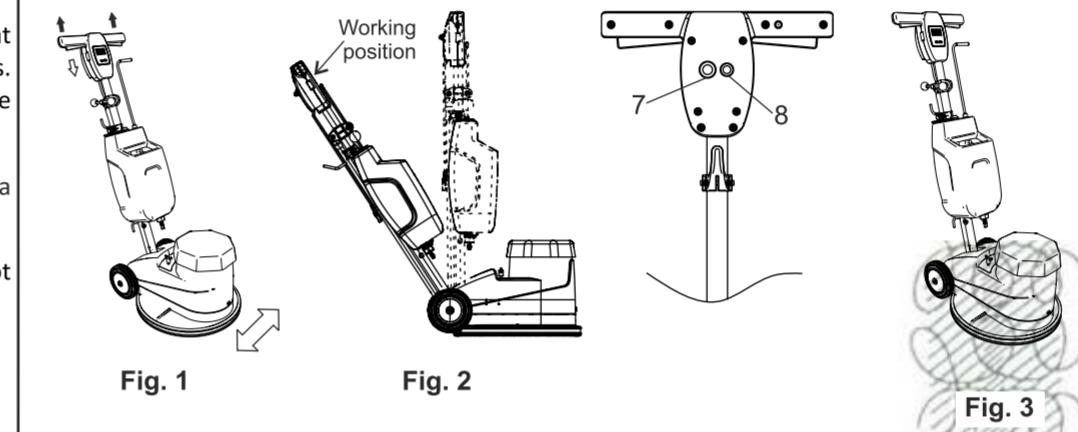
- Operate the shaft adjustment handle and shift bar into its vertical position.
- Then, tip the machine onto its wheels and press the brush motor switch briefly. The brush disengages.
- Remove the plug from the power socket and wind the electric cable around the tank holder.

Through Cleaning

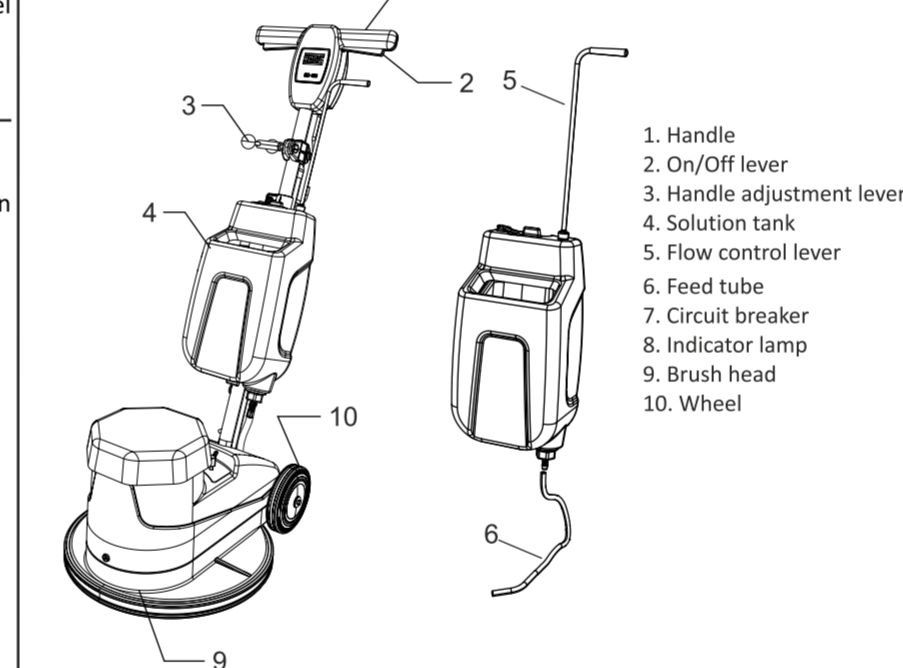
- The single disk machine is supplied with the following accessories - Solution tank, Scrubbing brush, to enable thorough cleaning
- Mount the tank onto the tank mounting.
- Slide the outlet hose to the water connector.
- Fill the tank till the specified quantity of solution. Then fit the brush.
- Control the flow of solution with the tank lever by pulling it upwards.
- Vacuum the dirty wash solution a section at a time with a water extractor.

Shampooing thoroughly and efficiently with the machine.

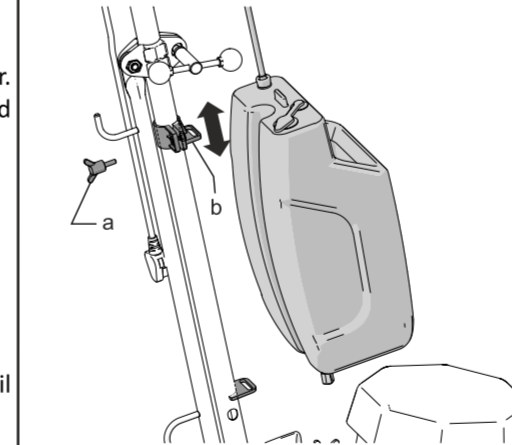
- For shampooing the machine is equipped with the following accessories - Solution tank, Shampooing brush.
- The working procedure is in principle, the same as for thorough cleaning.
- Start the machine with the shampooing brush dry.
- Meter small amounts of liquid until the bristles are saturated with foam.
- Run the machine from right to left or vice-versa. Immediately after this, run the machine in the same way in the reverse direction, but with an overlap of about a quarter of the strip already treated. (Fig. 2)
- Only then run machine in a spiral pattern over the shampooed strips. In doing so, work both strips at the same time. (Fig. 3)
- During shampooing it is highly advisable to immediately remove the dirt-laden foam a section at a time with a water extractor.



Know Your Machine



Solution Tank Installation



Place the solution tank's bottom tab on the bottom tank holder and press till it sits firmly. Loosen the knob (a) of the top tank holder (b) and move downwards till it gets fixed on the top tab of the solution tank. Adjust the height of the tank placement for ease of operation. Tighten the knob to firmly secure its position. Connect the feed tube to the hose connector firmly to prevent any leakage of solution. The machine is ready for use.

MAINTENANCE

Compliance with our recommendations concerning maintenance work will give you the advantage of always having a machine at your disposal, which is ready to work and in good operating condition.

Please contact your local distributor; the people there will be glad to perform that work for you. Our well trained personnel and genuine spare parts are at your disposal.

- In case of any inquiries or orders for spare parts, please always quote the machine's serial number mentioned on the nameplate.
- The name plate is fixed on the chassis.
- When cleaning or servicing the machine, and when replacing any parts, shut off the machine and on principle disconnect the power plug from the power supply.
- The machine may be taken into operation only if all guarding devices are fitted and in protective position.
- As far as possible, cleaning should not be done by hand, but using appropriate tools or equipment.

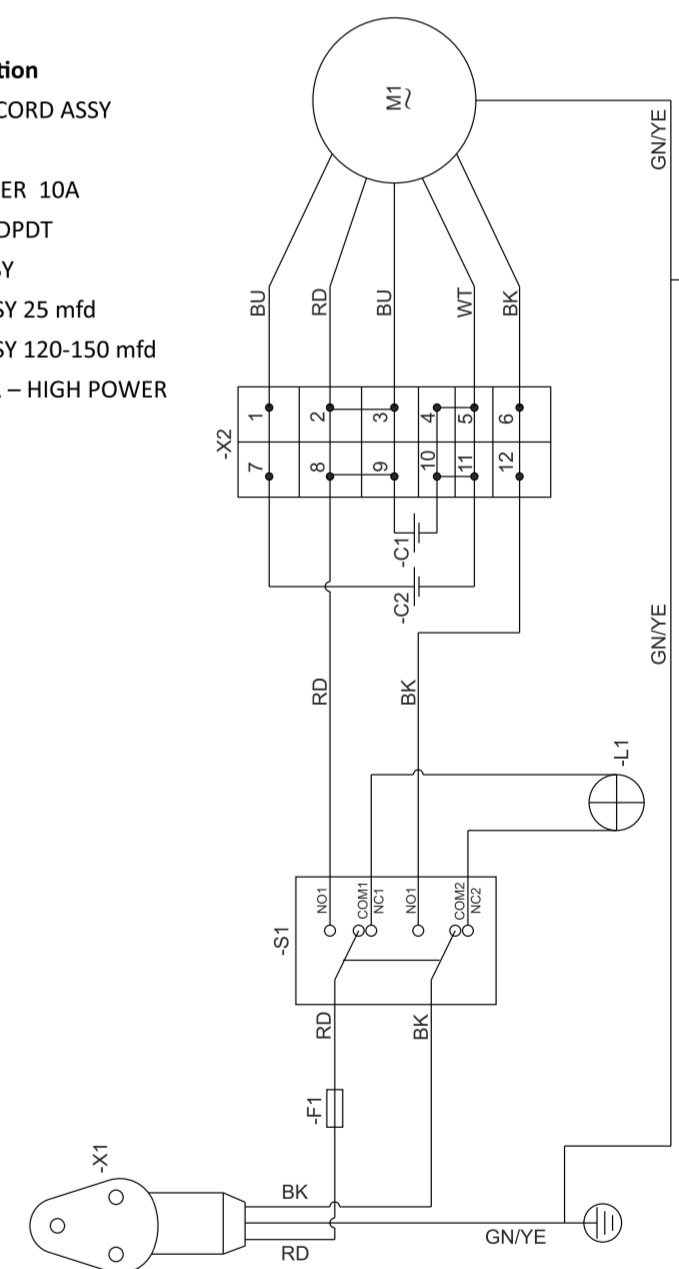
- Maintenance and repair work may be carried out only by means of suitable tools and by the people trained in the factory.
- For reasons of safety, only genuine spare parts must be used.

Before performing the maintenance, inspection and /or repair work described below, do check all operating elements and components of the machine for proper operation, and identify any possible malfunctions. After repair work has been done, the machine may be taken into operation against only after a safety test.

Maintenance Work	Daily	Service hours every		
		50	100	200
Check connection-extension cables and plugs for good condition. Discard defective cables immediately.	●			
Check the valve in the solution tank, clean if required.	●			
Check the brush for tight fit and wear, renew them if required.		●	●	●
Check the fresh water infeed to the brushes.		●	●	●
Caution: Prior to any maintenance and repair work, remove the power supply plug from the mains. Subsequently perform a safety test as per VDE 0701.				

Electrical Circuit

Legend	Description
-X1	MAIN POWER CORD ASSY
-X2	CONNECTOR
-F1	CIRCUIT BREAKER 10A
-S1	LIMIT SWITCH DPDT
-L1	INDICATOR ASSY
-C1	CAPACITOR ASSY 25 mfd
-C2	CAPACITOR ASSY 120-150 mfd
-M1	BRUSH MOTOR - HIGH POWER



TECHNICAL SPECIFICATION

Description	Unit	Values
Scrubbing width	mm	430
Power supply	V/Hz	230/50
Brush motor power	W	1300
Brush speed	rpm	165
Fresh water tank capacity	L	10
Protection class	IPX	4
Dimensions (L x W x H)	mm	560 x 465 x 1230
Weight	kg	44